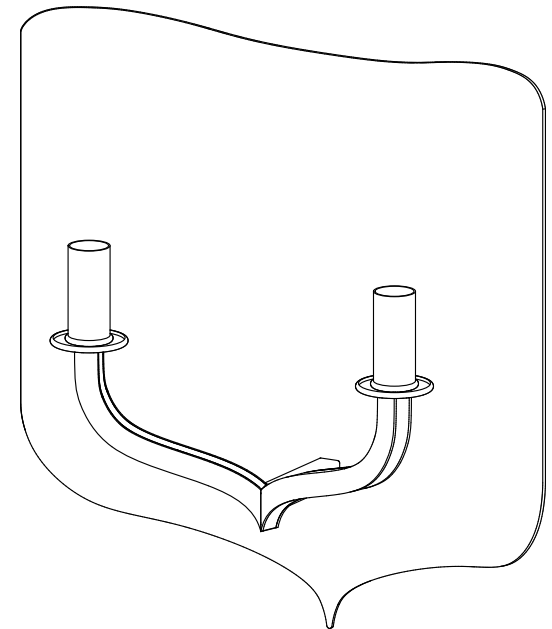
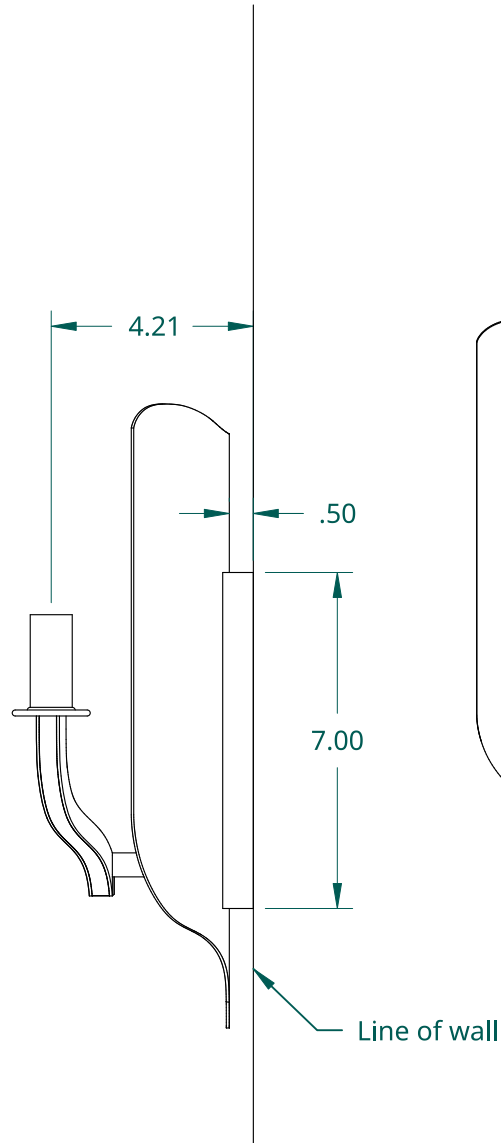
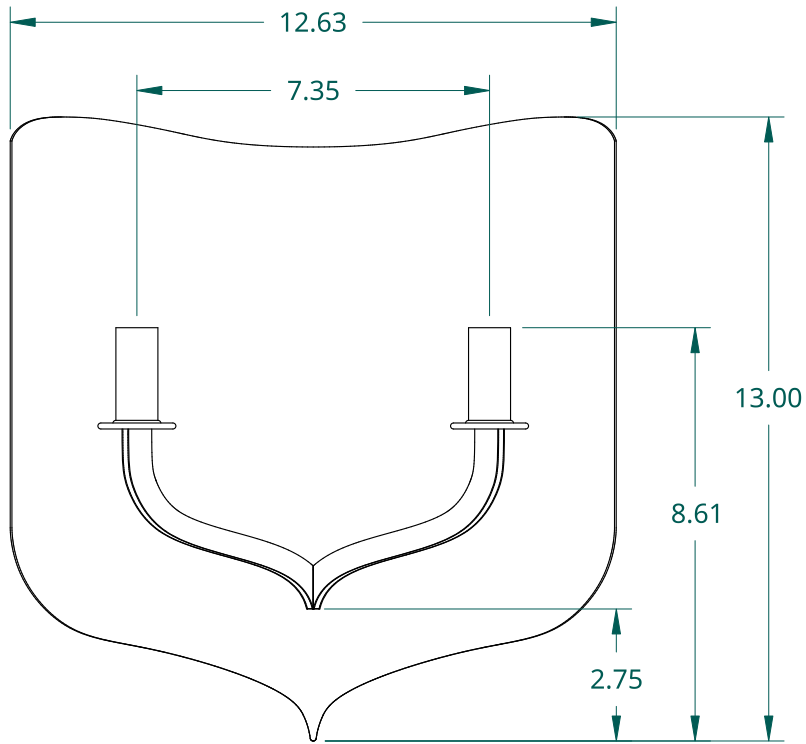
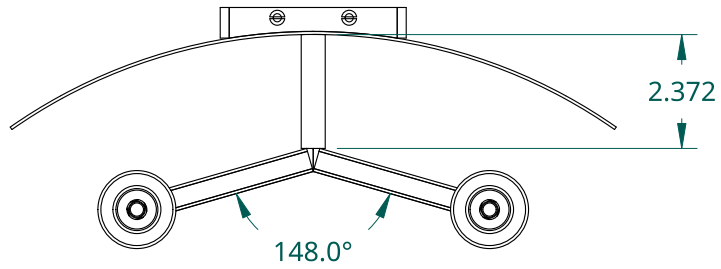


Sconce #4



THE INFORMATION CONTAINED IN THIS DRAWING IS THE SOLE PROPERTY OF PARED HANDCRAFTED LIGHTING. ANY REPRODUCTION IN PART OR AS A WHOLE WITHOUT THE WRITTEN PERMISSION OF PARED HANDCRAFTED LIGHTING IS PROHIBITED.

ALL MEASUREMENTS IN INCHES

REV# 1

10/21/2021

PARED
HANDCRAFTED LIGHTING