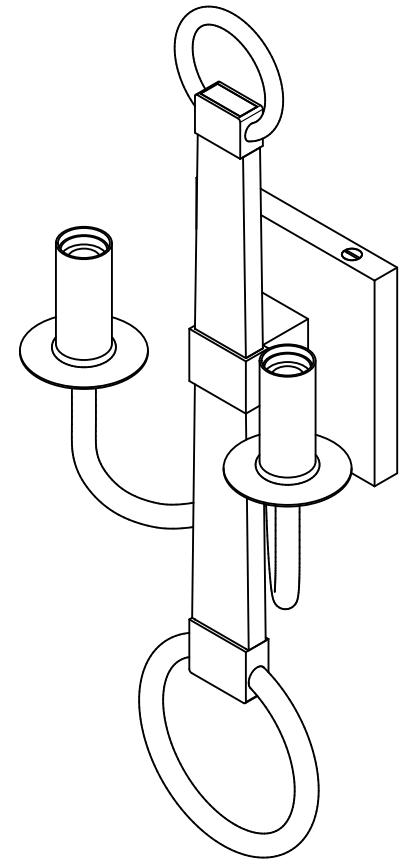
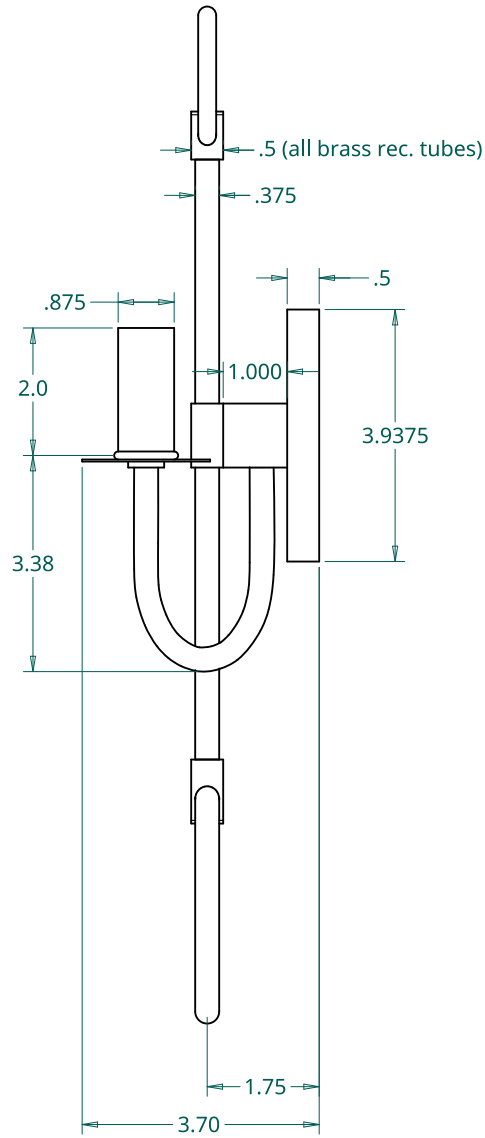
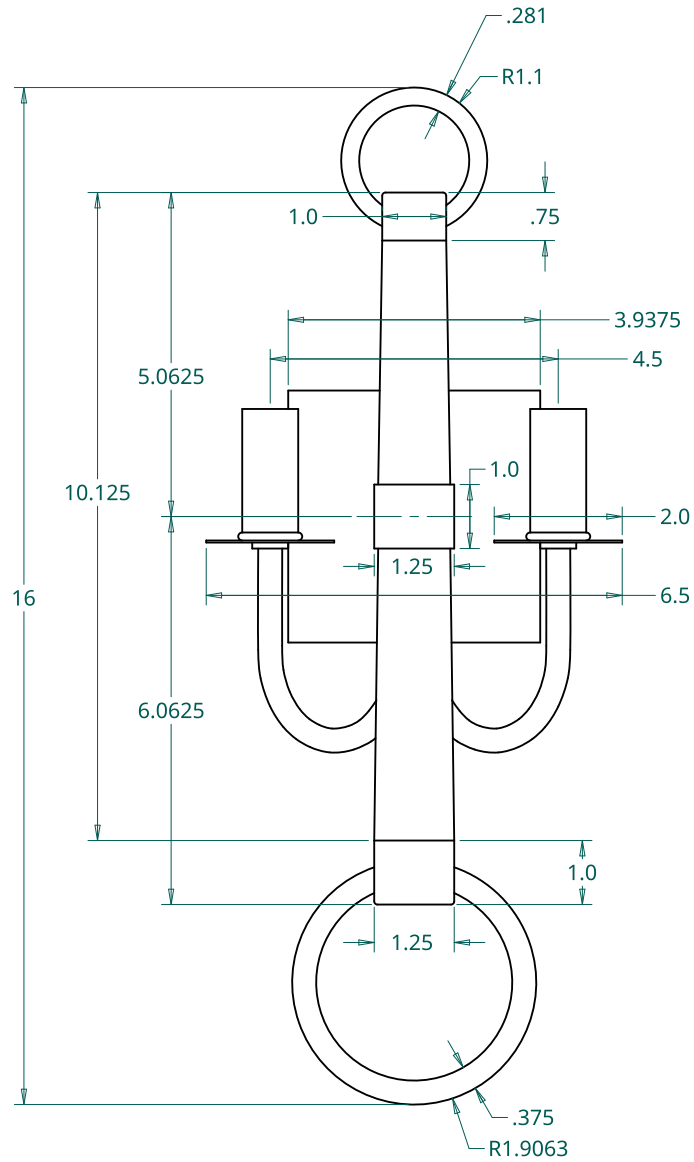


Sconce #5



THE INFORMATION CONTAINED IN THIS DRAWING IS THE SOLE PROPERTY OF PARED HANCRAFTED LIGHTING. ANY REPRODUCTION IN PART OR AS A WHOLE WITHOUT THE WRITTEN PERMISSION OF PARED HANCRAFTED LIGHTING IS PROHIBITED.

ALL MEASUREMENTS IN INCHES

REV# 1

03/27/2022

PARED
HANDCRAFTED LIGHTING